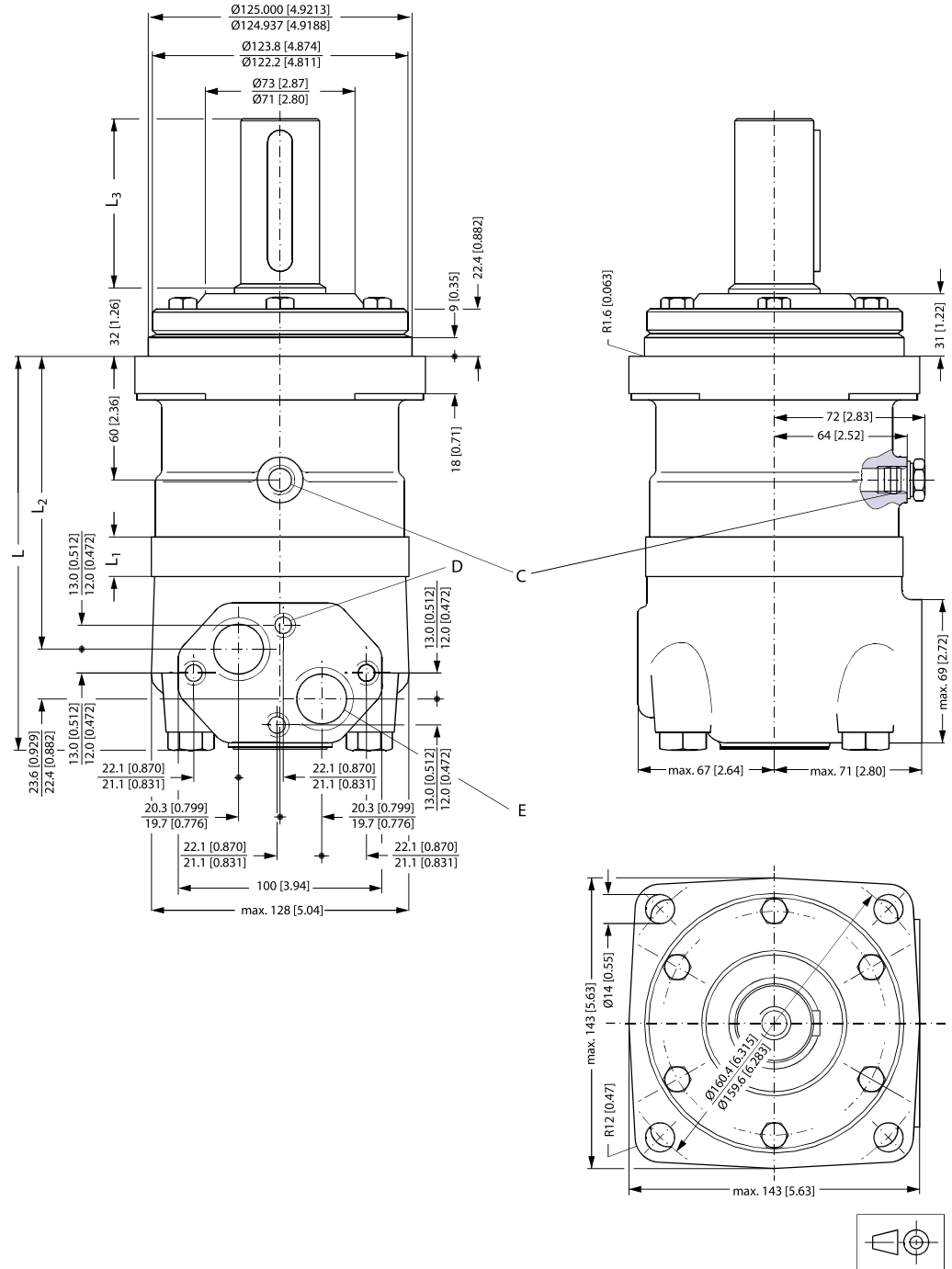


OMT

Dimensions

Standard flange—European version



C: Drain connection
G 1/4; 12 mm [0.47 in] deep

D: M10; 10 mm [0.39 in] deep

E: G 3/4; 17 mm [0.67 in] deep

OMT

Type	L _{max} mm [in]	L ₁ * mm [in]	L ₂ mm [in]
OMT 160	190 [7.48]	16.5 [0.650]	140 [5.51]
OMT 200	195 [7.68]	21.5 [0.846]	145 [5.71]
OMT 250	201 [7.91]	27.8 [1.094]	151 [5.94]
OMT 315	211 [8.31]	37.0 [1.457]	161 [6.34]
OMT 400	221 [8.70]	47.5 [1.870]	171 [6.73]
OMT 500	235 [9.25]	61.5 [2.421]	185 [7.28]

* The gearwheel set is 3.5 mm [0.138 in] wider across the rollers than the L₁ dimensions

Output shaft		L ₃ mm [in]
All shafts except P.t.o. shaft	max.	82 [3.23]
P.t.o. shaft	max.	102 [4.02]