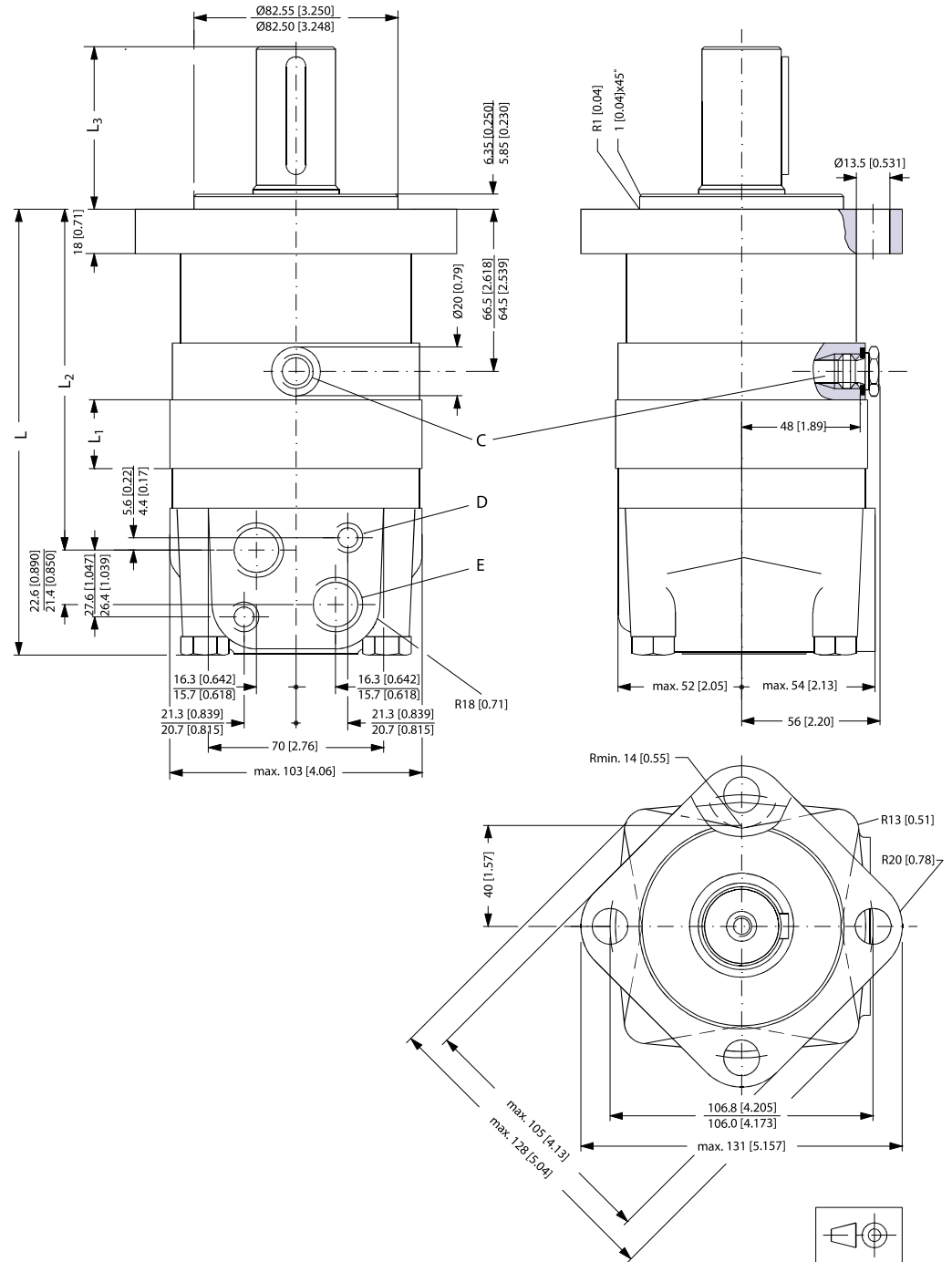


OMS

Standard flange—European version



**C:** Drain connection  
G 1/4; 12 mm [0.47 in] deep  
**E:** G 1/2; 15 mm [0.59 in] deep

**D:** M10; 13 mm [0.51 in] deep

151-1809.10

**OMS**

Type	L <sub>max</sub> mm [in]	L <sub>1</sub> mm [in]	L <sub>2</sub> mm [in]
OMS 80	167 [6.57]	14.0 [0.551]	124 [4.88]
OMS 100	170 [6.69]	17.4 [0.685]	127 [5.00]
OMS 125	175 [6.89]	21.8 [0.858]	132 [5.20]
OMS 160	181 [7.13]	27.8 [1.094]	138 [5.43]
OMS 200	188 [7.40]	34.8 [1.370]	145 [5.71]
OMS 250	196 [7.72]	43.5 [1.713]	153 [6.02]
OMS 315	208 [8.19]	54.8 [2.157]	165 [6.50]
OMS 400	221 [8.70]	68.4 [2.693]	178 [7.01]

Output shaft		L <sub>3</sub> mm [in]
All shafts except P.t.o. shaft	max	67 [2.64]
	min	65 [2.56]
P.t.o. shaft	max	109 [4.29]
	min	107 [4.21]