

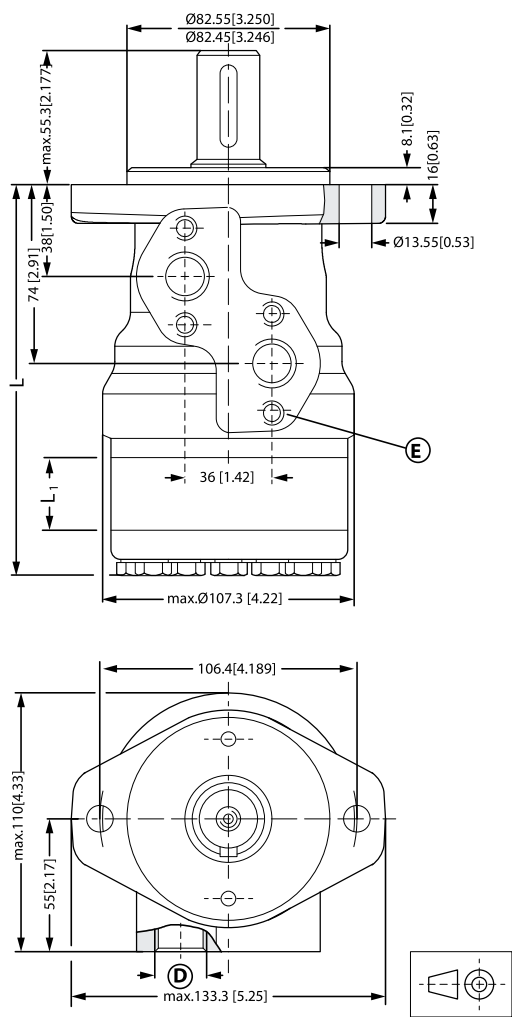
**OMR dimensions**

**OMR dimensions - European version**

**OMR Side port version with 2-hole oval mounting flange (A2 flange)**

- With high pressure shaft seal

*Side port - European version*



151-1750.12

**D:** G 1/2; 15 mm [0.59 in] deep

**E:** M8; 13 mm [0.51 in] deep (4 pcs.)

Type		OMR 50	OMR 80	OMR 100	OMR 125	OMR 160	OMR 200	OMR 250	OMR 315	OMR 375
L <sub>Max</sub>	mm	137.8	142.8	146.2	150.6	156.6	163.6	172.3	183.6	193.8
	[in]	[5.43]	[5.62]	[5.76]	[5.93]	[6.17]	[6.44]	[6.78]	[7.23]	[7.63]
L <sub>1</sub>	mm	9.0	14.0	17.4	21.8	27.8	34.8	43.5	54.8	65.0
	[in]	[0.35]	[0.55]	[0.69]	[0.86]	[1.09]	[1.37]	[1.71]	[2.16]	[2.56]